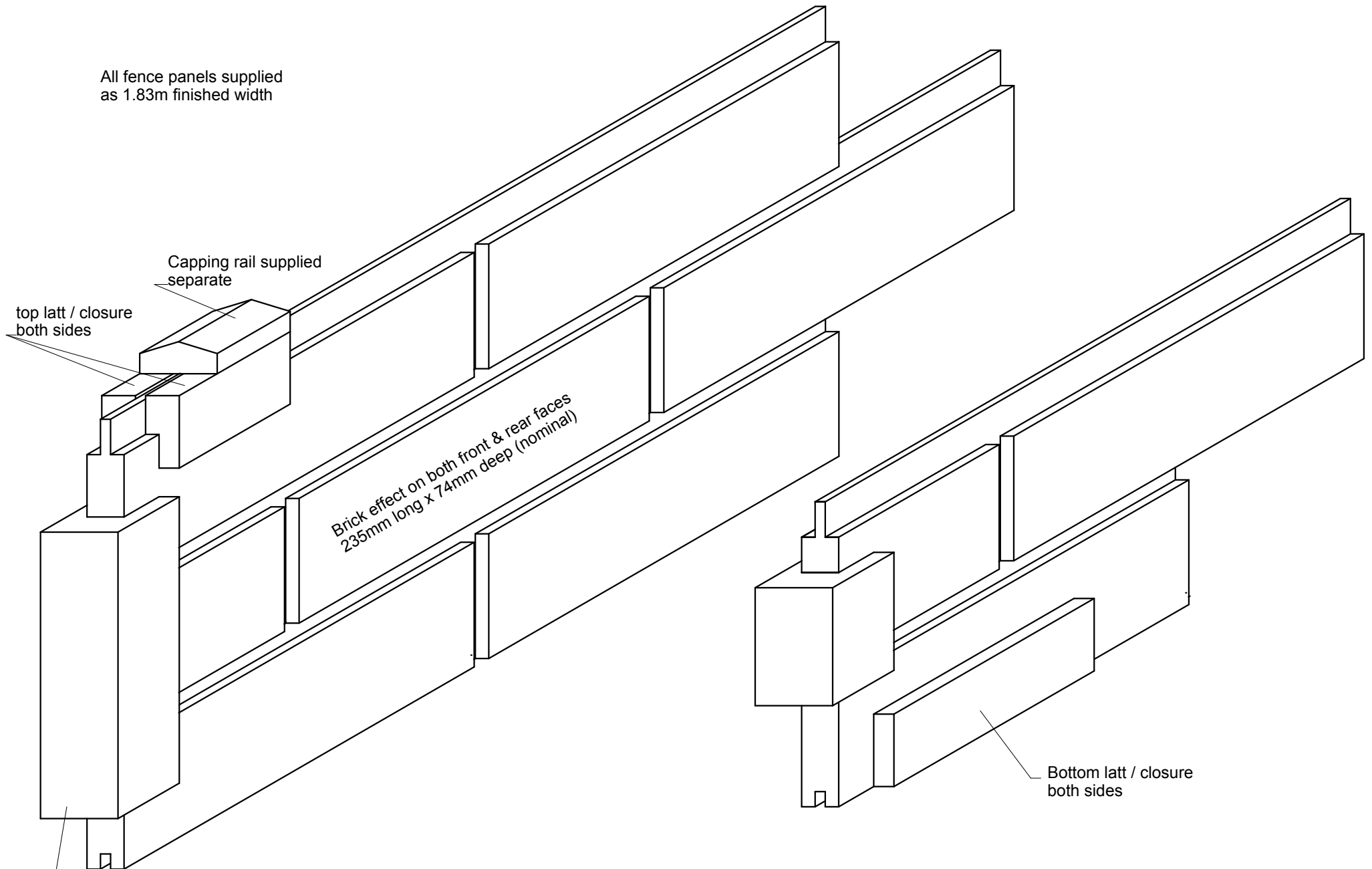


All fence panels supplied  
as 1.83m finished width



Capping rail supplied  
separate

top latt / closure  
both sides

Brick effect on both front & rear faces  
235mm long x 74mm deep (nominal)

Bottom latt / closure  
both sides

Part section of end  
closure post for  
illustration only

<b>Fence Board 22mm (nominal) Illustrative Component Arrangement</b>			<b>WOODBICK LTD</b>	
Do not scale	Drawn by: R E C	Drawing number: WB F002	Rev 01	Date: 02/04/2010